

Electric towing tractor 8.0 ton



Simai

Four wheel-series

TE80



Electric towing tractor 8.0 ton

Truck specifications					TE80
Identification	1.1	Manufacturer			Simai S.p.A
	1.2	Model			TE80
	1.3	Drive			Electric
	1.4	Operator type			Sit-on
	1.5	Load capacity/rated load ¹⁾	Q	kg	8000
	1.7	Rated drawbar pull	F	N	1900
	1.9	Wheelbase	y	mm	975
Weight	2.1	Service weight		kg	1229
	2.2	Axle load, with load, front/rear		kg	614 / 795
	2.3	Axle load, without load, front/rear		kg	585 / 645
Tyres	3.1	Tyre - Cushion(Cu), Extra-elastic(SE), Pneumatic(Pn),Polyurethane			SE/Pn
	3.2	Tyre - size, front			4.00-8
	3.3	Tyre - size, rear			4.00-8
	3.5	Wheels, number front/rear (x = driven wheels)			2/2X
	3.6	Track width, front	b ₁₀	mm	810
	3.7	Track width, rear	b ₁₁	mm	912
Dimensions	4.7	Height of cab	h ₆	mm	1990
	4.8	Seat height	h ₇	mm	1010
	4.12	Coupling height	h ₁₀	mm	265 - 320 - 375
	4.13	Loading height, unloaded	h ₁₁	mm	600
	4.16	Length of loading surface	l ₃	mm	350
	4.17	Overhang	l ₅	mm	258
	4.18	Width of loading surface	b ₉	mm	650
	4.19	Overall length	l ₁	mm	1595
	4.21	Overall width	b ₁	mm	1000
	4.32	Ground clearance, centre of wheelbase	m ₂	mm	105
	4.35	Turning radius	W _a	mm	1910
4.36	Internal turning radius	b ₁₃	mm	930	
Performance data	5.1	Travel speed, with/without load		km/h	9 / 16
	5.6	Max. drawbar pull		N	6200
	5.7	Gradeability		%	see chart
	5.8	Max. gradeability loaded/unloaded		%	see chart
	5.10	Service / parking brake (I=Hydraulic E=Electromagnetic M=Mechanical)			I/E
Electric motor	6.1	Drive motor rating S2 60 min		kW	5
	6.4	Battery voltage, nominal capacity ²⁾	K ₅	V/Ah	48/315, 345, 375
	6.5	Battery weight		kg	536 - 550 - 580
	6.6	Energy consumption according to VDI cycle ³⁾		kWh/h	
Others	8.1	Electronics control			Inverter AC
	8.4	Sound level at driver's ear according to EN 12053		dB(A)	69

¹⁾ Loading surface capacity: 100 kg.

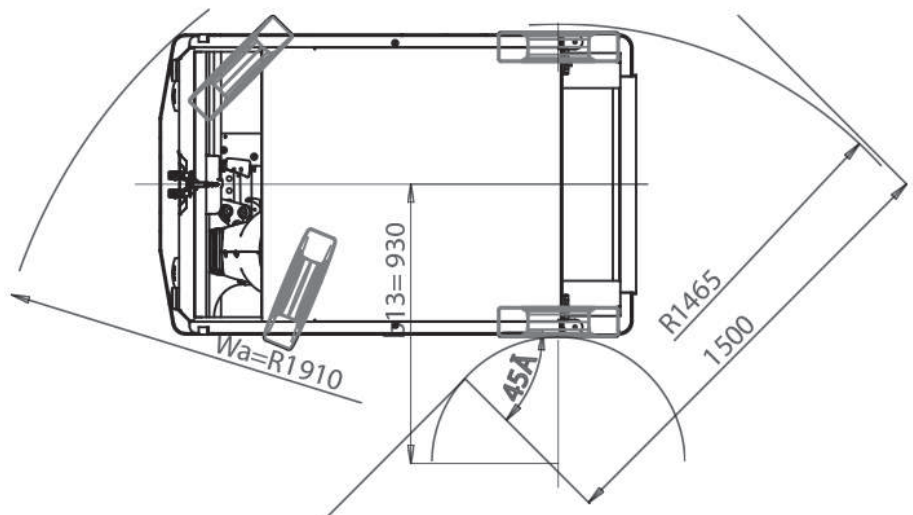
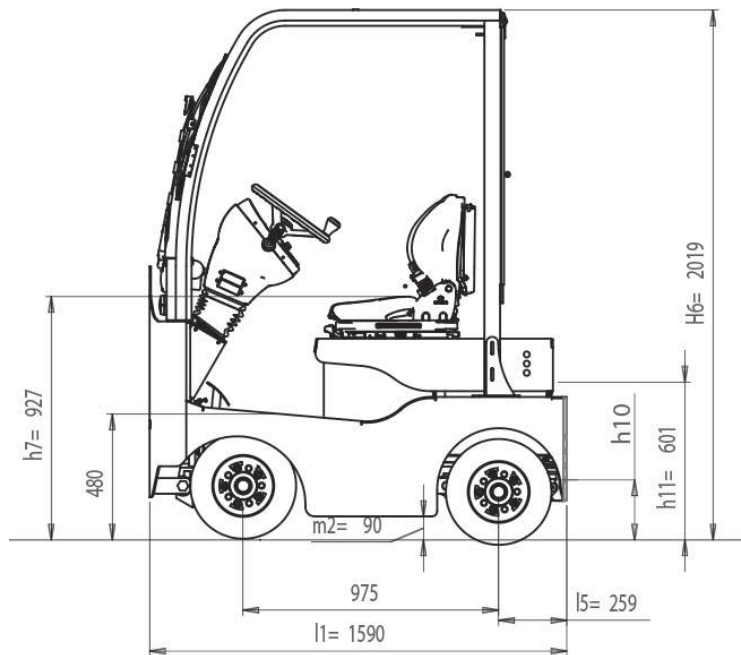
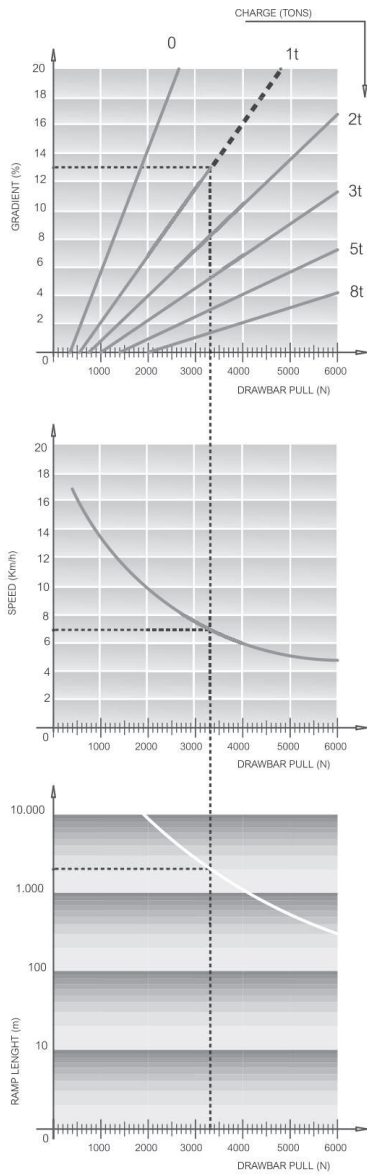
²⁾ Performances and weight are intended with 375 Ah battery.

³⁾ Contact the supplier for information.

As per VDI guidelines 2198, this datasheet applies to standard electric tractor / platform truck only. Dimensions are not binding and can be changed in any moment. The performances must be intended for brand new machines, after having completed the running-in tested in San Donato Milanese factory in normal climatic conditions. Performances and weight are to be intended with standard motors and battery and with pneumatic tires. Some data can vary according to different equipments.

Towed weight

READING EXAMPLE:
 CHARGE = 1 TONS
 GRADIENT = 13 %
 DRAWBAR PULL = 3330 N
 SPEED = 7 Km/h
 MAX PRACTICABLE RAMP LENGHT = 2000 m



Standard equipments:

- Inching buttons
- Operator presence system
- AC power system
- Pneumatic tyres
- Rear drawbar
- Automatic parking brake
- Regenerative braking
- Head and tail lights, turn signal lights
- Digital display

